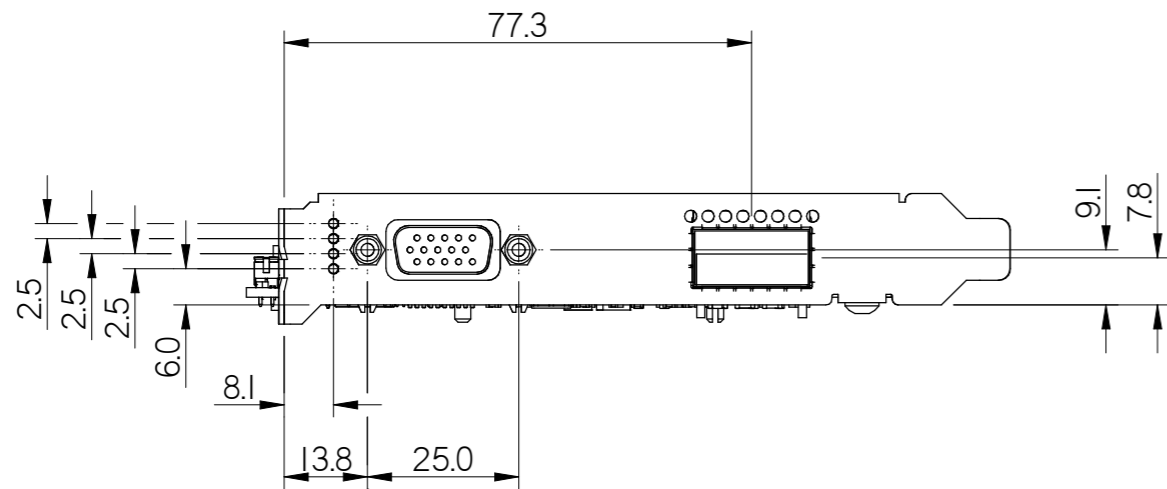
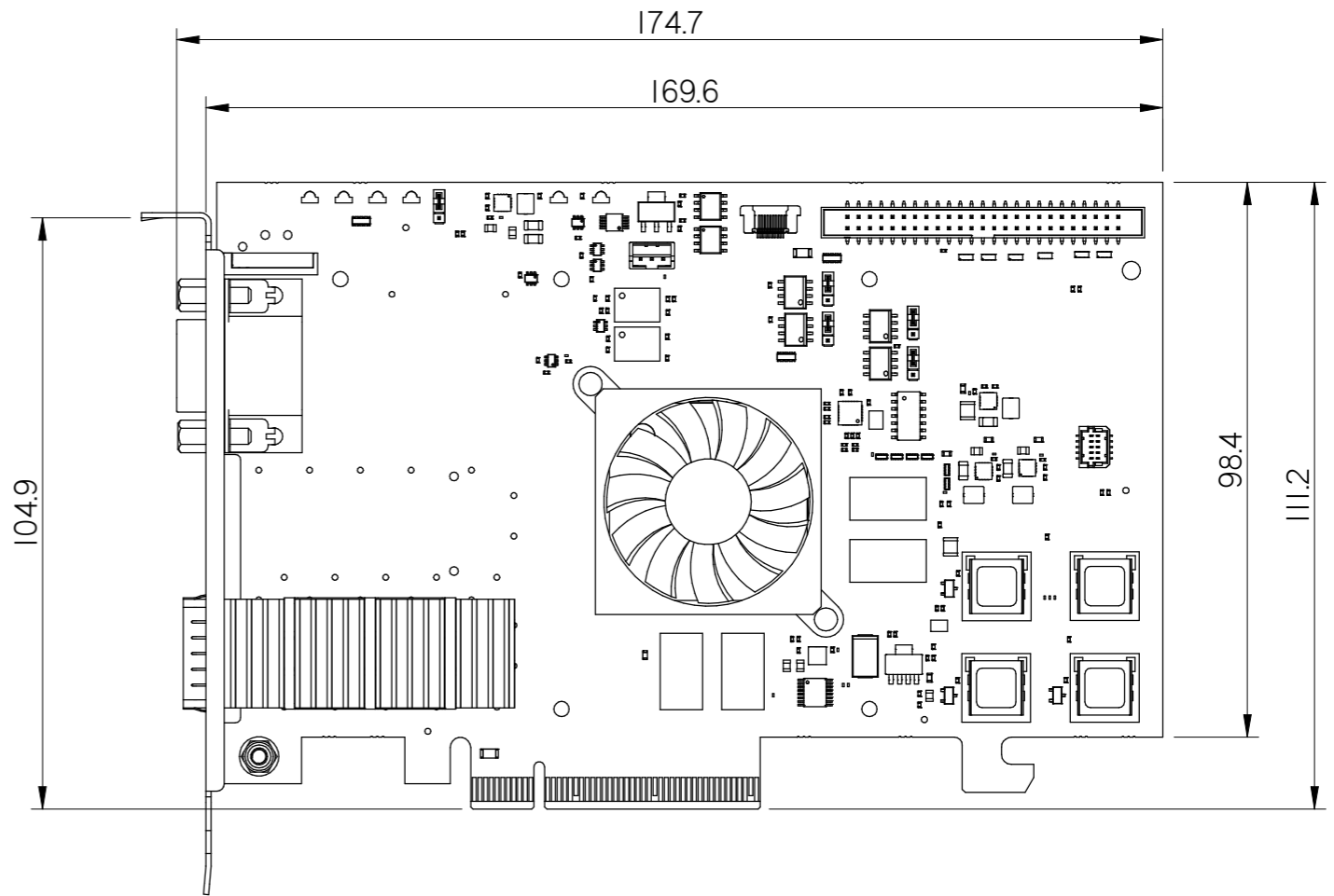
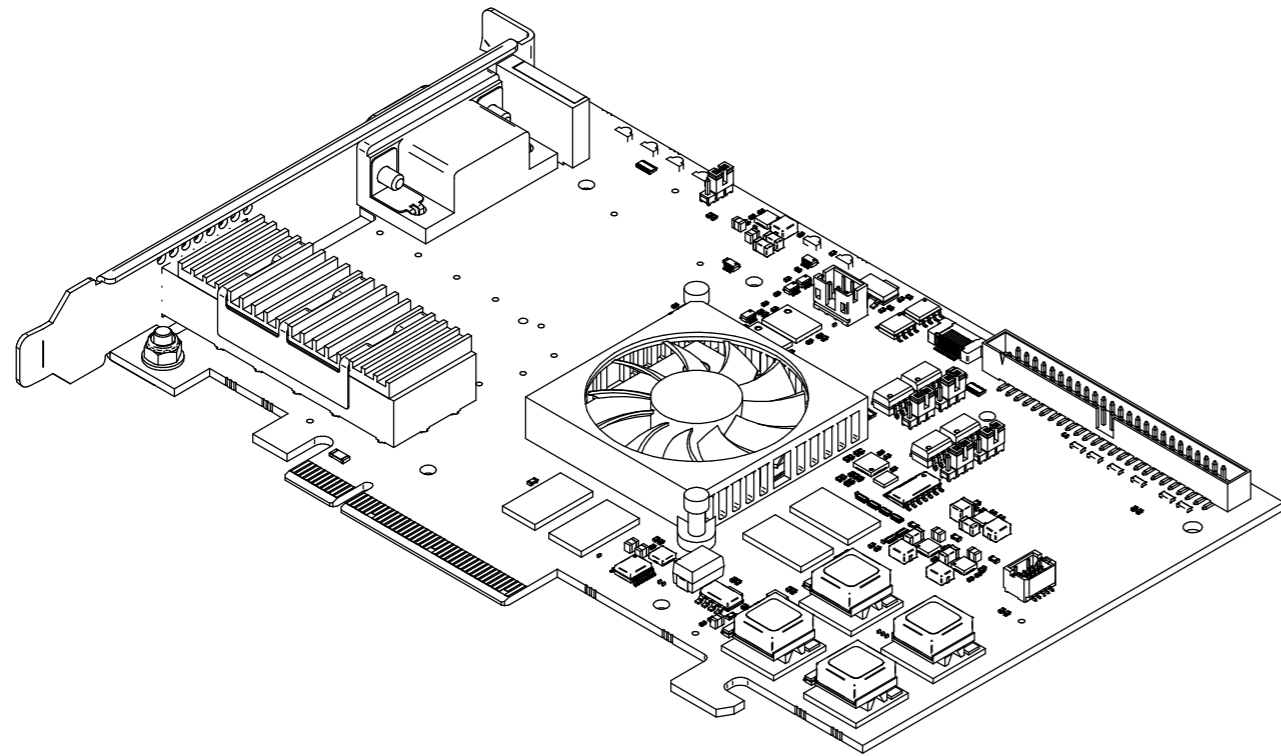
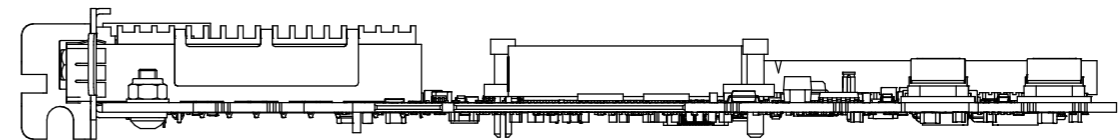


3RD ANGLE PROJECTION
DO NOT SCALE

PART NUMBERS
AS-FBD-4XCOF12-3PE8



MAX COMPONENT HEIGHT ON THIS SIDE - 14.49mm



MAX COMPONENT HEIGHT ON THIS SIDE - 2.67mm

All Dimensions in millimetres (mm) and for reference only

Whilst every effort has been made to ensure that the information contained in this drawing and the associated CAD data in electronic form is accurate and correct, Active Silicon cannot be held liable for errors or omissions. Should any errors or omissions be discovered, Active Silicon will use all reasonable endeavours to correct and re-issue the drawings and CAD data as fast as practical.

Please note that some electrical components can vary slightly in size from batch to batch and for that reason any mechanical design integration should use the maximum component height plane as shown in this drawing and not individual component heights.

© 2025 Active Silicon			
TITLE Mechanical Overview FireBird CoaXPress over Fiber Frame Grabber (4xCOF12-3PE8)			
DRAWN Keith Baker	DATE 15-Jan-2025	APPROVED PL ✓ PE ✓ TD ✓	
DRAWING NUMBER MO-AP20C17-0122-0101			SHEET - A 3